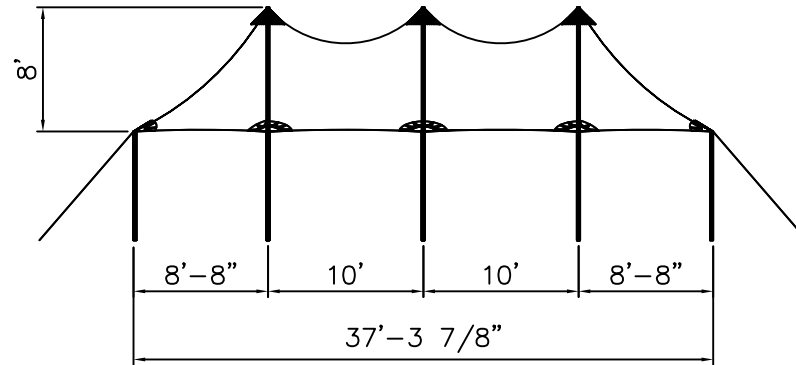
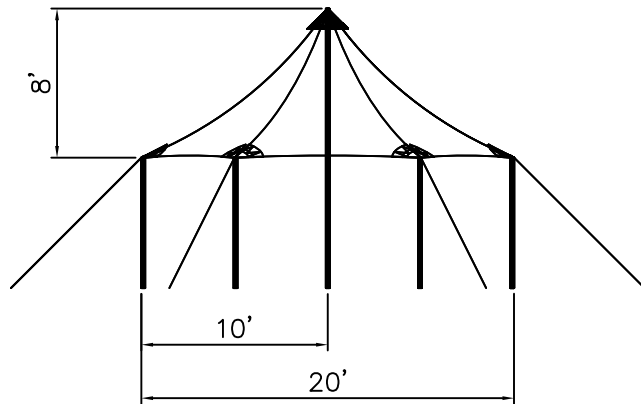


ISOMETRIC VIEW  
661 SQUARE FT.

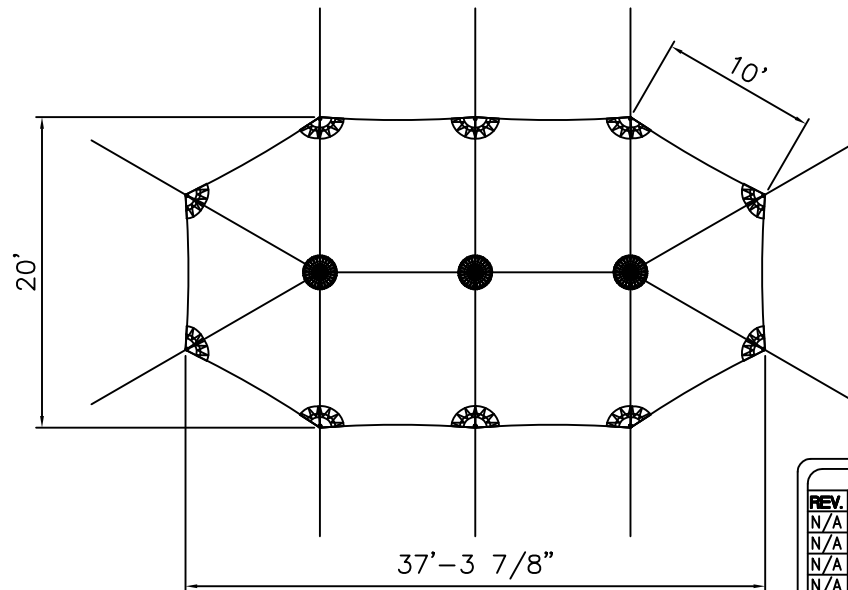


SIDE VIEW

TIDEWATER SAIL CLOTH TENT 20' X 37' 1 pc.



END VIEW



PLAN VIEW

ALL DATA AND INFORMATION CONTAINED IN OR DISCLOSED BY THIS DOCUMENT IS CONFIDENTIAL AND PROPRIETARY INFORMATION OF AZTEC TENTS AND ALL RIGHTS THEREIN ARE EXPRESSLY RESERVED. BY ACCEPTING THIS MATERIAL THE RECIPIENT AGREES THAT THIS MATERIAL AND INFORMATION CONTAINED THEREIN IS HELD IN CONFIDENCE AND IN TRUST AND WILL NOT BE COPIED, REPRODUCED WHOLE OR IN PART, NOR ITS CONTENTS REVEALED, EITHER ORALLY OR IN WRITING, WITHOUT THE SPECIFIC PURPOSE FOR WHICH IT WAS DELIVERED.

**AZTEC TENTS**  
DESIGN & PRODUCTION  
2665 COLUMBIA ST. TORRANCE, CA, 90503  
(800) 228-3687 - FAX (310) 381-0722

**TIDEWATER FRAME**  
TIDEWATER SIL CLOTH TENT/STANDARD  
20'W X 37'L TIDEWATER SAIL CLOTH TENT  
PART NUMBER: ZXXXXXXX

REVISION HISTORY			
REV.	DESCRIPTION	BY:	DATE:
N/A	N/A	N/A	N/A
N/A	N/A	N/A	N/A
N/A	N/A	N/A	N/A
N/A	N/A	N/A	N/A
N/A	N/A	N/A	N/A

**CONFIDENTIAL**

ENGINEER: N/A      DATE: 5/12/2016  
PAGE: 1 OF 1      DRAWN: HUGO.R